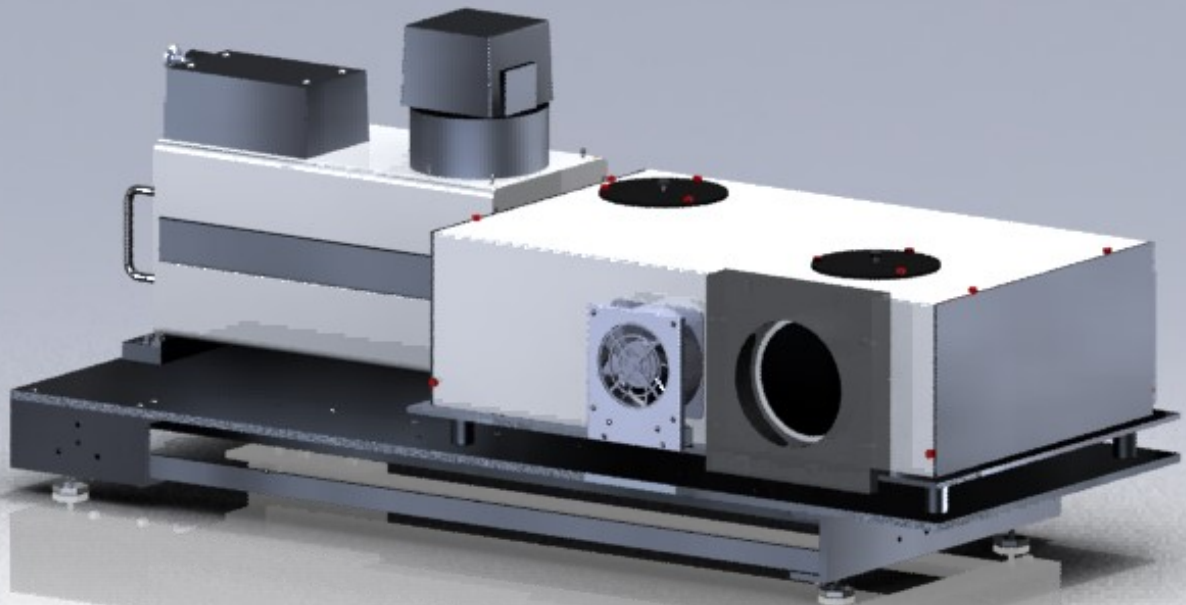




# SCIENCETECH

## UV SOLAR SIMULATORS



### Features

- COLIPA and USFDA Guidelines-Matching UV Filters
- Fully Reflective Technology Maximizes UV Throughput
- Multiple Target Sizes Available

### Applications

- Sunscreen Testing
- Cosmetics Testing
- Phototoxicity Testing



# SCIENCETECH

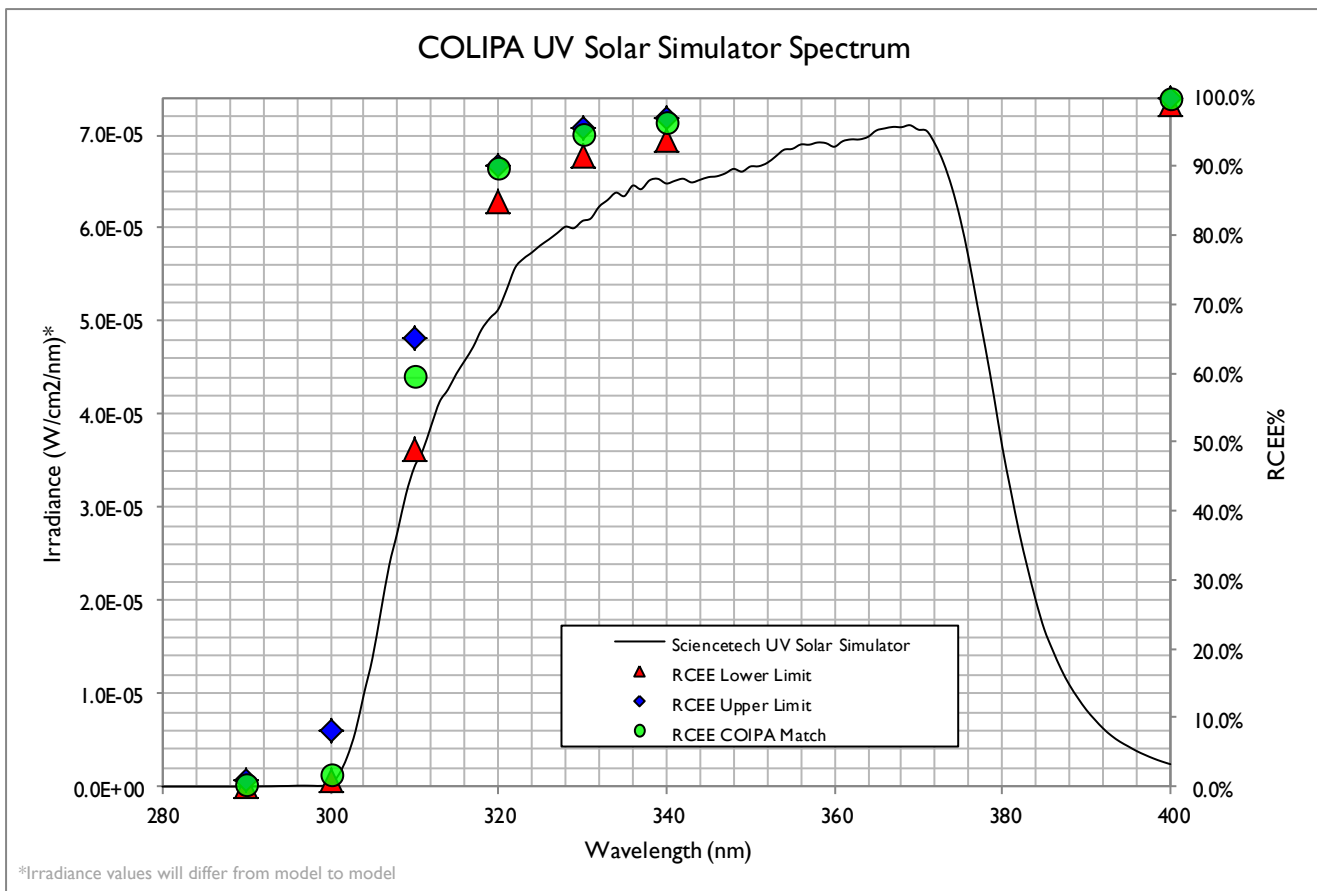
1450 Global Drive, London, Ontario Canada, N6N 1R3  
Phone: 519-644-0135 / Fax: 519-644-0136  
E-mail: [Sales@Sciencetech-Inc.com](mailto:Sales@Sciencetech-Inc.com)

[www.sciencetech-inc.com](http://www.sciencetech-inc.com)

# UV SOLAR SIMULATORS

## Sciencetech UV Solar Simulators

Sciencetech is proud to offer its line of fully reflective solar simulators with UV filters to match COLIPA and USFDA standards for the 280—400 nm range. These solar simulators are suitable for SPF testing, photobiology, and other UV applications. COLIPA provides cumulative irradiance targets for solar simulators to meet for its widely-accepted Sun Protection Factor (SPF) Testing. For more information on Sciencetech's line of UV solar simulators and their spectral match please contact your Sciencetech Technical Specialist.



[Browse our Website](#)



1450 Global Drive, London, Ontario Canada, N6N 1R3  
Phone: 519-644-0135 / Fax: 519-644-0136  
E-mail: [Sales@Sciencetech-Inc.com](mailto:Sales@Sciencetech-Inc.com)

[www.sciencetech-inc.com](http://www.sciencetech-inc.com)

# UV SOLAR SIMULATORS

## Sciencetech UV Solar Simulators Meet COLIPA Guidelines

Spectral Range (nm)	Measured % RCEE*		Sciencetech UV Solar Simulators	
	Lower Limit	Upper Limit	% RCEE	Pass/Fail
<290	--	<1	0.25	Pass
290-300	1	8	1.9	Pass
290-310	49.0	65.08	59.8	Pass
290-320	85.0	90.0	89.9	Pass
290-330	91.5	95.5	94.8	Pass
290-340	94.0	97.0	96.5	Pass
290-400	99.0	100.0	100.0	Pass

Sciencetech's fully reflective solar simulators are the ideal base for UV applications; fully reflective technology ensures a minimum of UV light is lost through lenses. The addition of special filters allows the solar simulator to meet standards for UV radiation within specific wavelength ranges.



## SPECIFICATIONS

# SCIENCETECH



1450 Global Drive, London, Ontario Canada, N6N 1R3  
Phone: 519-644-0135 / Fax: 519-644-0136  
E-mail: [Sales@Sciencetech-Inc.com](mailto:Sales@Sciencetech-Inc.com)

[www.sciencetech-inc.com](http://www.sciencetech-inc.com)

# UV SOLAR SIMULATORS

## Specifications

Model	SS150-UV	SS0.5kW-UV	SS1.0kW-UV	SS1.6kW-UV	SS2.5kW-UV
Spectral Match * (COLIPA)	Pass	Pass	Pass	Pass	Pass
Class – Non-uniformity (ASTM)	A	A	A	A	A
Class – Temporal Instability (ASTM)	A	A	A	A	A
Target Size (Øcm)	5	7.5	12.5	16.0	20.0
Working Distance (cm)	76	45	88	125	105
Collimation (half angle)	2.5°	3°	3°	3°	3°
Product number	160-9022	165-9023	165-9022	165-9024	165-9021

\* Special filters must be used to operate as a UV solar simulator, blocking the visible range, so ASTM standards for spectral matching do not apply.

### UV Filter Set for Operation as UV Solar Simulator

Product Number	Product Name	Description
640-8016 <sup>†</sup>	SS-COLIPA	This filter set provides a COLIPA and USFDA match for Sciencetech's fully reflective solar simulators.

<sup>†</sup> Included in all Sciencetech UV Solar Simulators.



# SCIENCETECH

1450 Global Drive, London, Ontario Canada, N6N 1R3  
 Phone: 519-644-0135 / Fax: 519-644-0136  
 E-mail: [Sales@Sciencetech-Inc.com](mailto:Sales@Sciencetech-Inc.com)

[www.sciencetech-inc.com](http://www.sciencetech-inc.com)



# UV SOLAR SIMULATORS

## Optional Accessories

Options		
Product Number	Product Name	Description
Please Inquire	Extended 12.5" Beam Turning Unit	Beam turning unit to redirect light from a Sciencetech SS Fully Reflective Solar Simulator onto a target 12.5" from the solar simulator's output.
565-7001	(UV-METER)	Handheld Erythemally Effective UV Radiometer - Handheld unit suitable for measuring erythemally effective radiation from UV solar simulators.
160-9013	(DFS-150-LC)	Downward Facing Vertical Stand for Fully Reflective 150W Solar Simulators.
160-8016	(DFS-SS)	Downward Facing Vertical Stand for Fully Reflective Solar Simulators (SS0.5-1.6kW)
165-8050	(DFS-2.5SS)	Downward Facing Stand for 2.5kW Fully Reflective Solar Simulators



565-7001 UV-METER

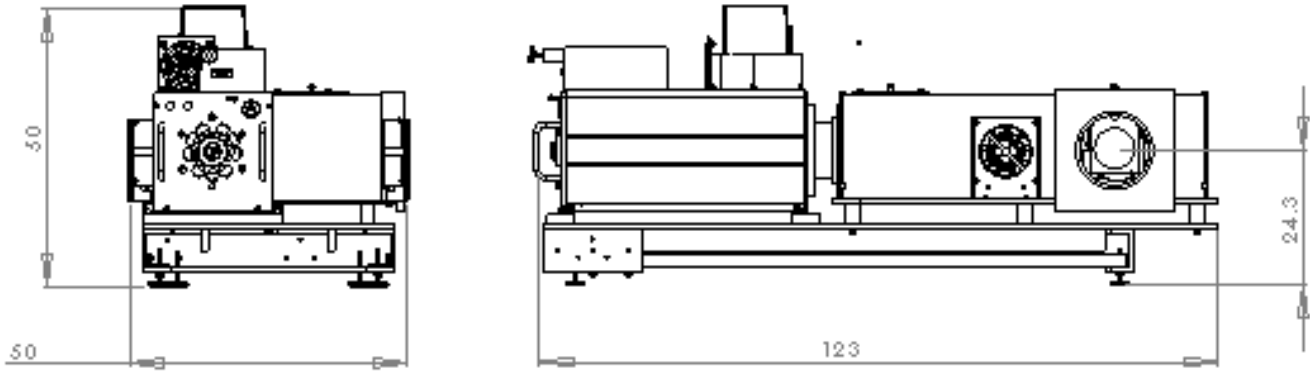


1450 Global Drive, London, Ontario Canada, N6N 1R3  
Phone: 519-644-0135 / Fax: 519-644-0136  
E-mail: [Sales@Sciencetech-Inc.com](mailto:Sales@Sciencetech-Inc.com)

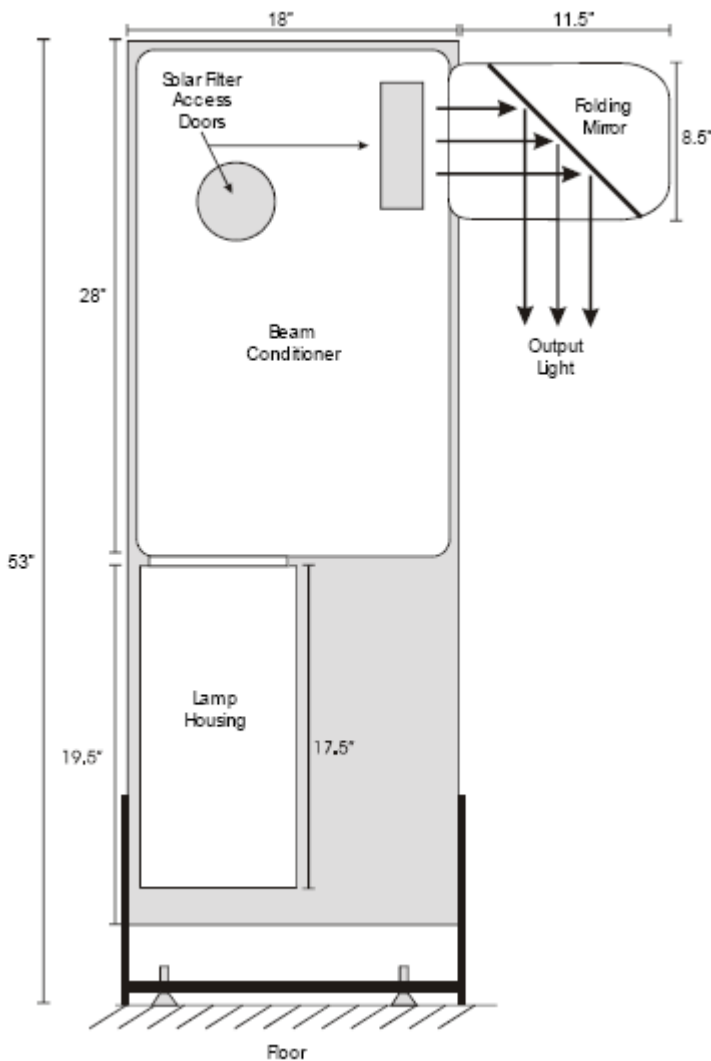
[www.sciencetech-inc.com](http://www.sciencetech-inc.com)

# UV SOLAR SIMULATORS

## DIMENSIONS (CM) SS0.5KW—UV, SSI.0KW—UV, SSI.5KW—UV



## WITH DOWNWARD-FACING OPTION



Please contact your Sciencetech Technical Sales Specialist for dimensions of the SS2.5kW—UV.

# SCIENCETECH

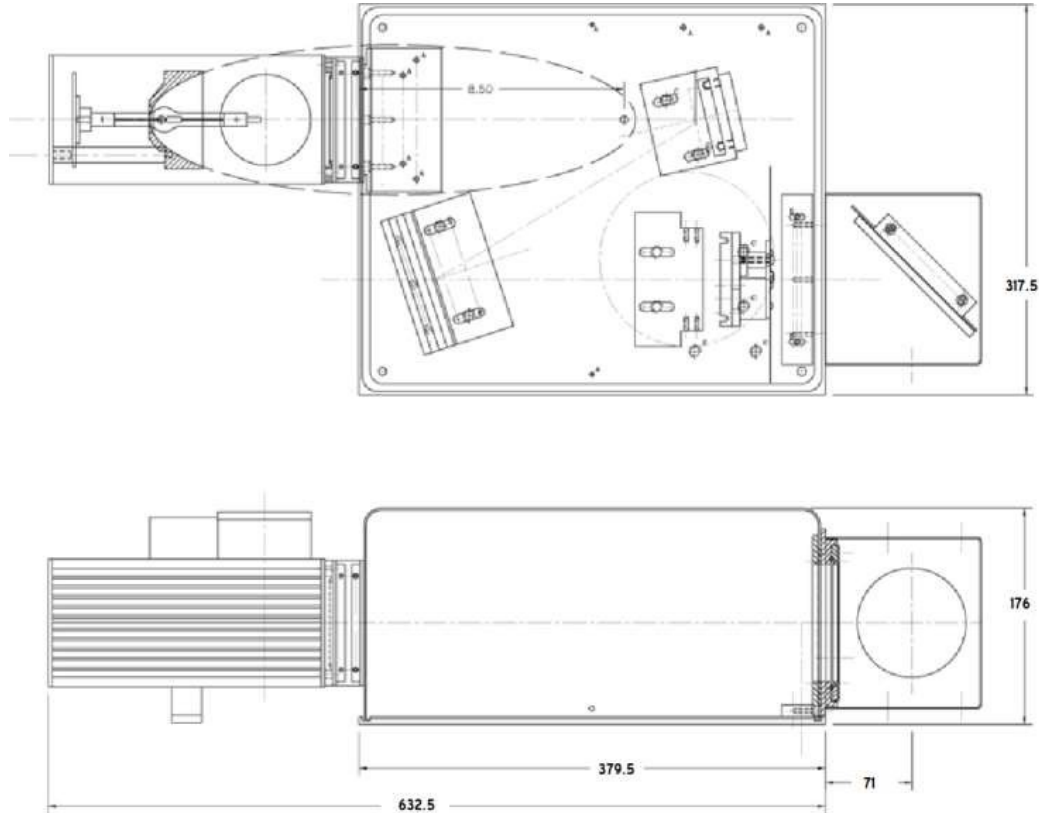


1450 Global Drive, London, Ontario Canada, N6N 1R3  
Phone: 519-644-0135 / Fax: 519-644-0136  
E-mail: [Sales@Sciencetech-Inc.com](mailto:Sales@Sciencetech-Inc.com)

[www.sciencetech-inc.com](http://www.sciencetech-inc.com)

# UV SOLAR SIMULATORS

## DIMENSIONS (CM) SSI50—UV (BEAM TURNING UNIT SHOWN)



### SSI50-UV



**Photonic Solutions Ltd**

Unit 2.2 Quantum Court

Heriot-Watt University Research Park

Edinburgh EH14 4AP

Tel: 0131 664 8122

Fax: 0131 449 7301

Email: [sales@photronicsolutions.co.uk](mailto:sales@photronicsolutions.co.uk)

Web: [www.photronicsolutions.co.uk](http://www.photronicsolutions.co.uk)

# SCIENCETECH



1450 Global Drive, London, Ontario Canada, N6N 1R3

Phone: 519-644-0135 / Fax: 519-644-0136

E-mail: [Sales@Sciencetech-Inc.com](mailto:Sales@Sciencetech-Inc.com)

[www.sciencetech-inc.com](http://www.sciencetech-inc.com)