

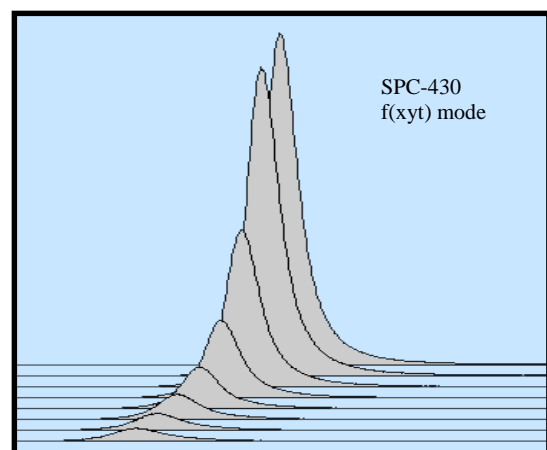
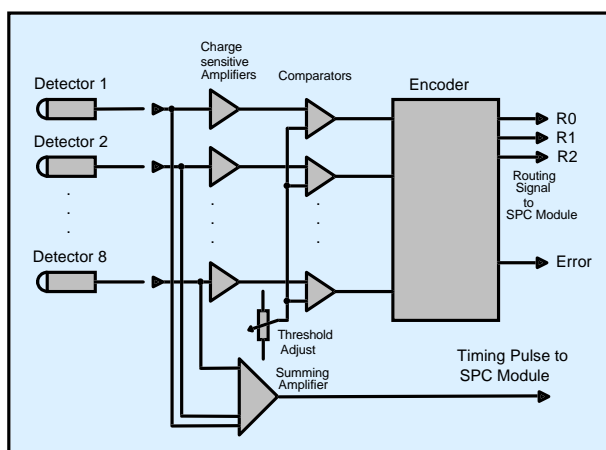
HRT-81

8 Channel TCSPC Router for PMTs

- Connects up to eight separate detectors to one bh time-correlated single photon counting module
- Simultaneous measurement in all detector channels
- Applicable with most conventional PMTs and MCPs
- Time Resolution 30 ps with R3809U MCP
- Count Rate > 1 MHz



The HRT-81 module is used to connect up to eight individual detectors to one of the bh time-correlated single photon counting modules SPC-xx0. The photons from the individual detectors are routed into different curves in the SPC memory. Thus the measurement yields a separate decay function for each of the detectors. Typical applications are fluorescence depolarisation measurements or simultaneous decay measurements at different wavelengths.



Covered by patent DE 43 39 787

Becker & Hickl GmbH
Nahmitzer Damm 30
12277 Berlin
Tel. +49 / 30 / 787 56 32
Fax. +49 / 30 / 787 57 34
email info@becker-hickl.com
http://www.becker-hickl.com

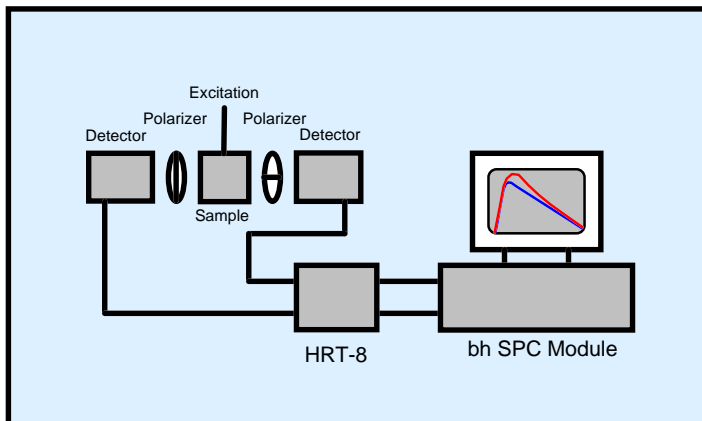

intelligent
measurement
and
control systems

HRT-81

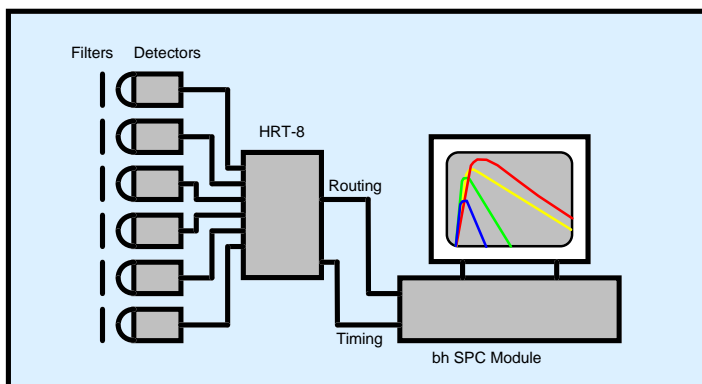
Specification

Input Polarity	negative
Input Connectors	50 Ohm, SMA
Input Pulse Charge for best Routing	0.2 ... 2 pAs
Timing Output Polarity	negative
Delay Difference between Channels	60 ps per Channel
Timing Output Connector	50 Ohm, SMA
Gain of Timing Pulse Output	4
Routing-Signal	TTL 3 bit + Error Signal
Routing Signal Connector	15 pin Sub-D/HD
Power Supply	+5V, -5V, +12V via Sub-D Connector from SPC Module
Dimensions	120mm × 95mm × 34mm

Applications



Fluorescence Anisotropy
Measurement



Multi Wavelength Decay
Measurement



Becker & Hickl GmbH
Nahmitzer Damm 30
12277 Berlin
Tel. +49 / 30 / 787 56 32
Fax. +49 / 30 / 787 57 34
email info@becker-hickl.com
<http://www.becker-hickl.com>



Photonic Solutions Ltd Unit 2.2, Quantum Court, Research Avenue South,
HWU Research Park, Edinburgh, EH14 4AP, UK, Tel: +44 (0)131 664 8122
Email sales@photronicsolutions.co.uk Web www.photronicsolutions.co.uk